

Drawing Number: P8-S63-□□□□□

1. Housing Material: Polycarbonate, UL Flammability Rating:

①=UL 94V-0, RoHS Compliant.

②=UL 94V-2, RoHS Compliant.

2. Contacts Type: ①=Straight pin fits Stranded wire only.

②=Two prong angled pin fits Solid/Stranded Wires.

③=Three prong pin fits Solid/Stranded Wires.

3. Gold Plating: ①= Fu" (Flash), ②=2-3u" ($0.0508 \mu\text{m} \leq A \leq 0.0762 \mu\text{m}$),

③= 3u" ($\geq 0.0762 \mu\text{m}$), ④= 6u" ($\geq 0.1524 \mu\text{m}$),

⑤=15u" ($\geq 0.381 \mu\text{m}$), ⑥=30u" ($\geq 0.762 \mu\text{m}$),

⑦=50u" ($\geq 1.27 \mu\text{m}$).

4. Packaging Quantity: ①=1000pcs, ②=500pcs, ③=250pcs, ④=200pcs

⑤= 100pcs, ⑥= 50pcs, ⑦= 25pcs, ⑧= 10pcs

⑨= Other

5. Housing Color: Transparent, other colors are available.

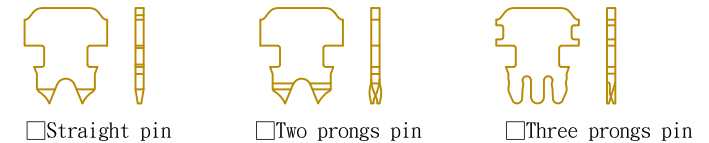
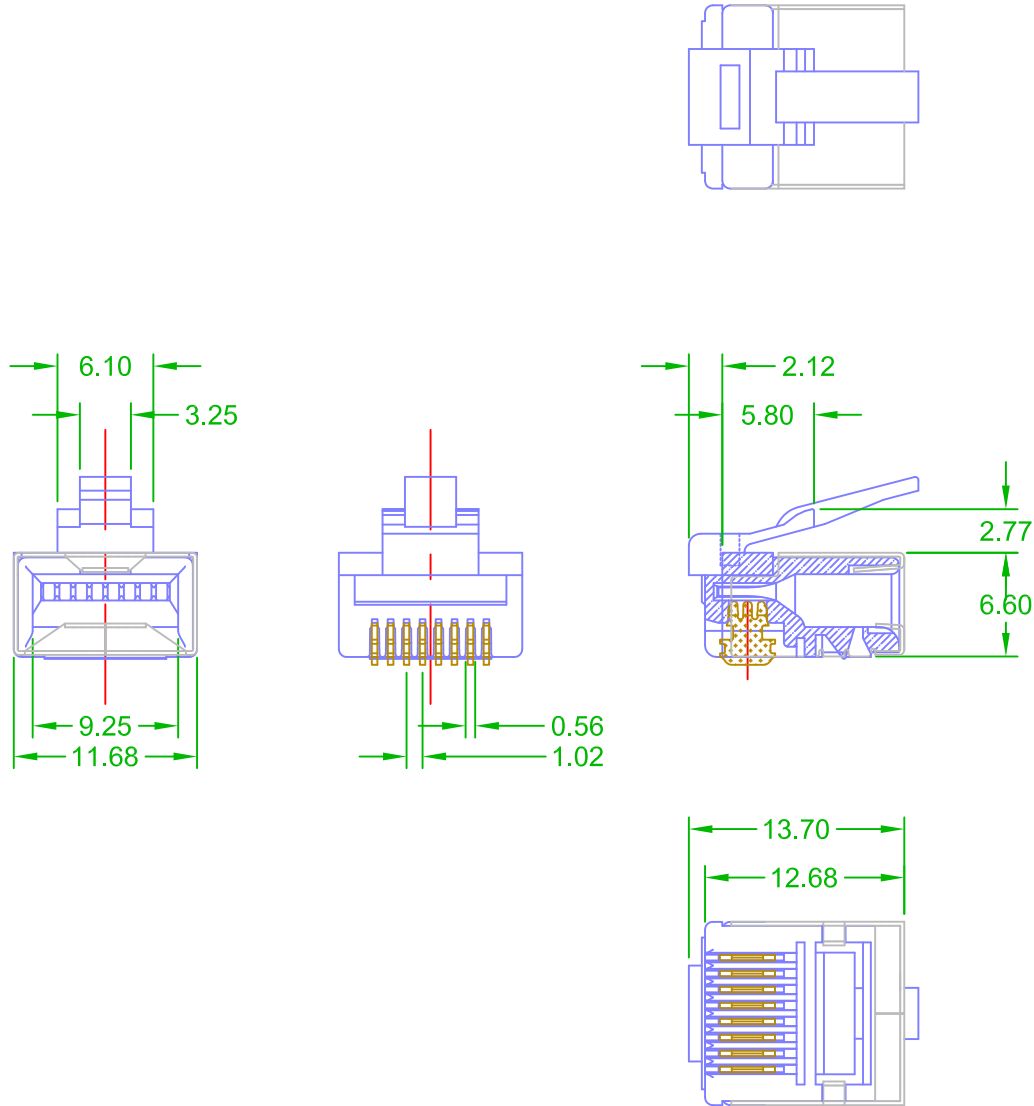
(Red=RD, Orange=OR, Yellow=YL, Green=GN, Blue=BL, Purple=PU, Black=BK)

6. Shielded Material: Brass with nickel plated, or Non-Shielded.

7. Operating Temperature: -10°C to 60°C.

Housing Material (0, 2)
 Contacts type (1, 2, 3)
 Gold plating (F, A, H, B, C, D, E)
 Packaging Quantity (S, T, U, V, W, X, Y, Z)
 Housing Color (RD, OR, YL, GN, BL, PU, BK)

NO: PX-0XX-□□□□□



NOTE TOL: ±0.1

B	2018.04.02. Rescheduling coding	3RD		Drawing	<i>Chidy</i>	Date	2004/11/11	UL Code	S8P8C-S	Plug Master INDUSTRIAL CO., LTD www.plugmaster.com.tw
A	An initial version	Unit	m/m	Checked	<i>Chris</i>	Date	2004/11/11	Description		
Rev	Description	Scale	1:1	Approved	<i>Jason</i>	Date	2004/11/11	F Shielded		